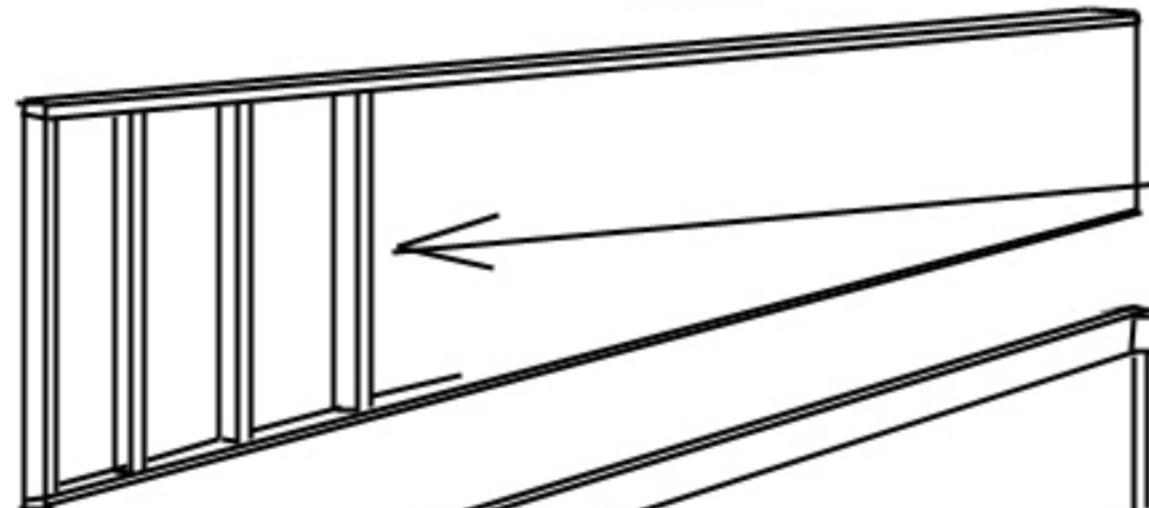


Crown Beams:
Pair of 2"x6"xL),
Roof Rafters:
2"x4"xL, or 2"x6"xL

Roof Rafter Sill Plates:
2"x6"xL



Floor Joists 2"x10"

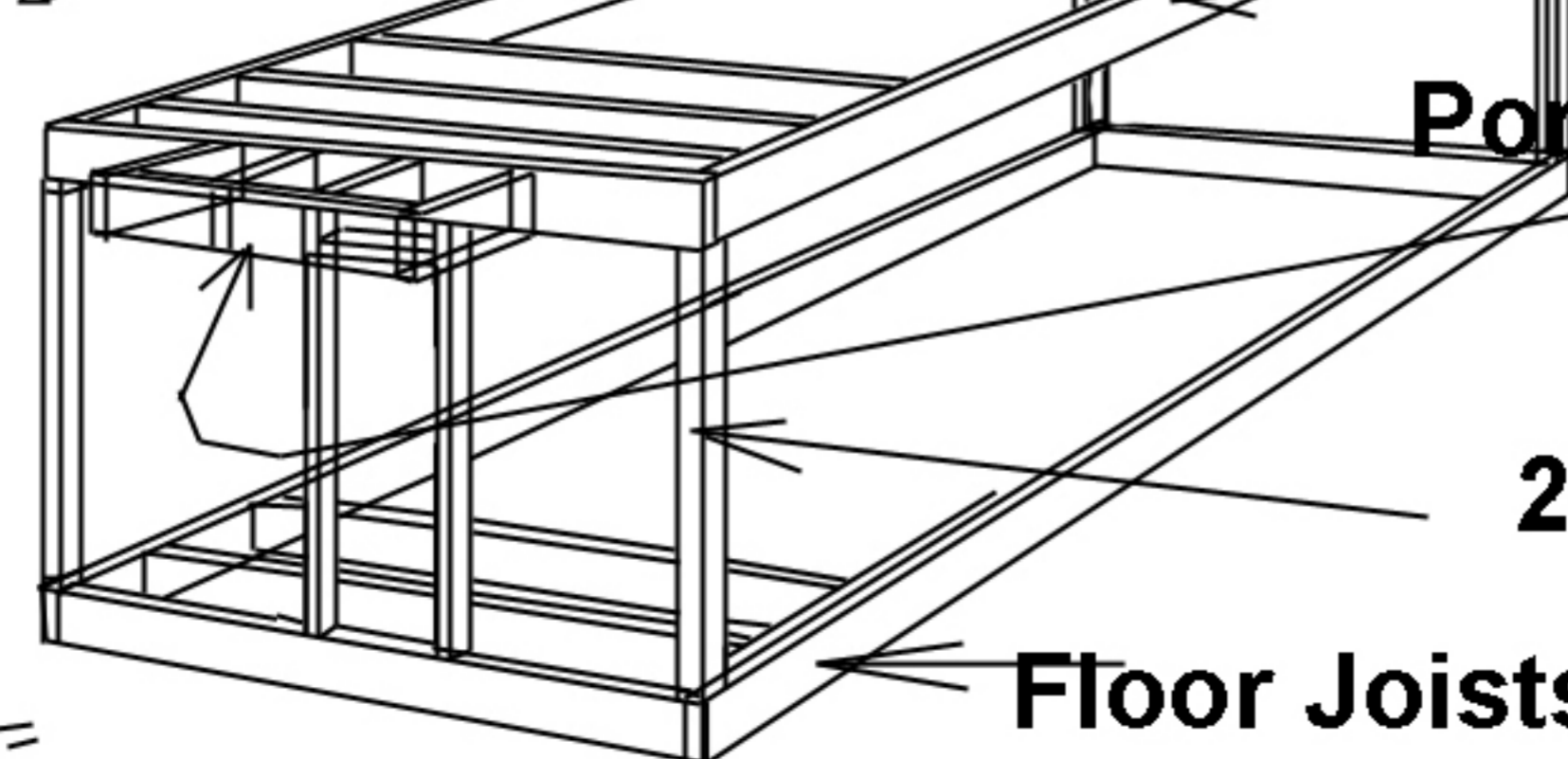


2"x4" wood stud walls



Floor Joists 2"x10"

Porch Joists 2"x10"
(2nd floor)



2"x4" wood stud walls

Floor Joists
2"x10"